

0.8 mm/0.8 mm DC - 145 GHz, Coaxial Adapters, In-Series

DESCRIPTION

"KPC080MF, FF, and MM" are small size, low SWR, and low loss coaxial adapters. They are designed for ultra-broadband (up to sub-millimeter wave) measurement, instrument, and system applications.

SPECIFICATIONS

Electrical:

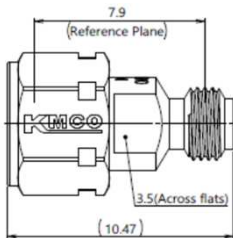
Frequency Range	DC - 145 GHz
SWR	< 1.6
Insertion Loss	1 dB (typ.)
Electrical Length	8.4 mm (Nominal)
Temperature Range	-55 to +125 °C

Mechanical:

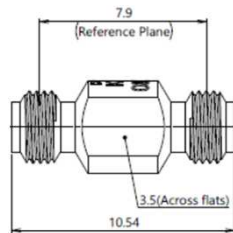
Body and Outer Conductor	Gold Plated Stainless Steel
Inner Conductor	Gold Plated Beryllium Copper and Brass
Coupling Torque	45 N-cm (Nominal)
Connect/Disconnect Life	> 500 Cycles (Estimate)



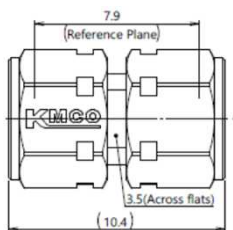
TYPE: KPC080MF 0.8 mm Male/0.8 mm Female



TYPE: KPC080FF 0.8 mm Female/0.8 mm Female



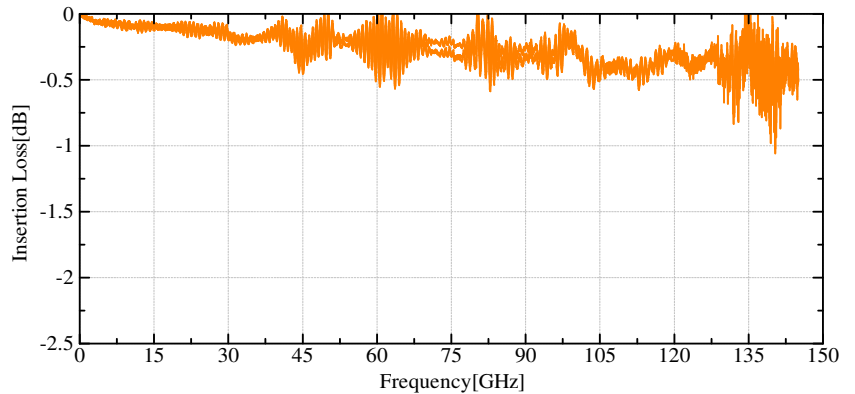
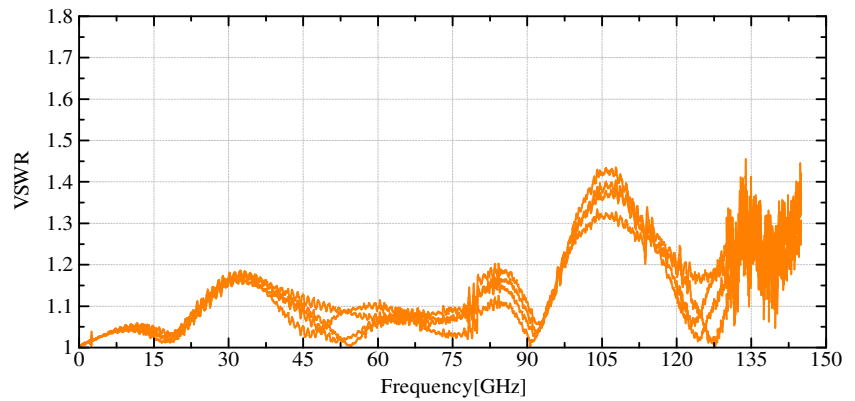
TYPE: KPC080MM 0.8 mm Male/0.8 mm Male



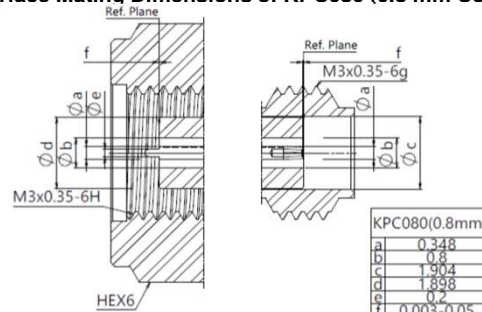
Typical Performance

Number of samples: 4 pcs

KPC080MF (Insertable Calibration)



Interface Mating Dimensions of KPC080 (0.8 mm Connectors)



NOTE:
All dimensions are in millimeters.

RoHS Compliant

REACH Compliant

Specifications Subject to Change Without Notice

Copyright(C) 2002-2024 Kawashima Manufacturing Co., Ltd. <All rights reserved.>

Rev. 01 Jun. 2024