

90 degree Angled-Swept Adaptor, Male to Female SMA Coaxial Adapters

DESCRIPTION

"SMA-525S" 90 degree angled-swept adaptor is designed for telecommunication systems and test equipment.

Connector Interface Standard:

- MIL-C-39012
- MIL-STD-348B
- IEC Std-169-15

SPECIFICATIONS

Electrical:

Frequency Range	DC - 24.6 GHz (*)
SWR	< 1.25 (to 20 GHz) < 1.5 (to 24.6 GHz)
Insertion Loss	< 0.15 dB (to 20 GHz) < 0.23 dB (to 24.6 GHz)
Input Power	10 W (max)
Temperature Range	-55 to +85 °C

Mechanical:

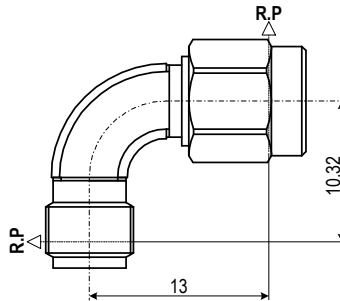
Outer Conductor	Nickel Plated Stainless Steel
Inner Conductor	Gold Plated Beryllium Copper
Coupling Torque	56 N-cm (Nominal)
Connect/Disconnect Life	> 500 Cycles (**)



Production Status
2 Weeks Lead-Time
for Shipping

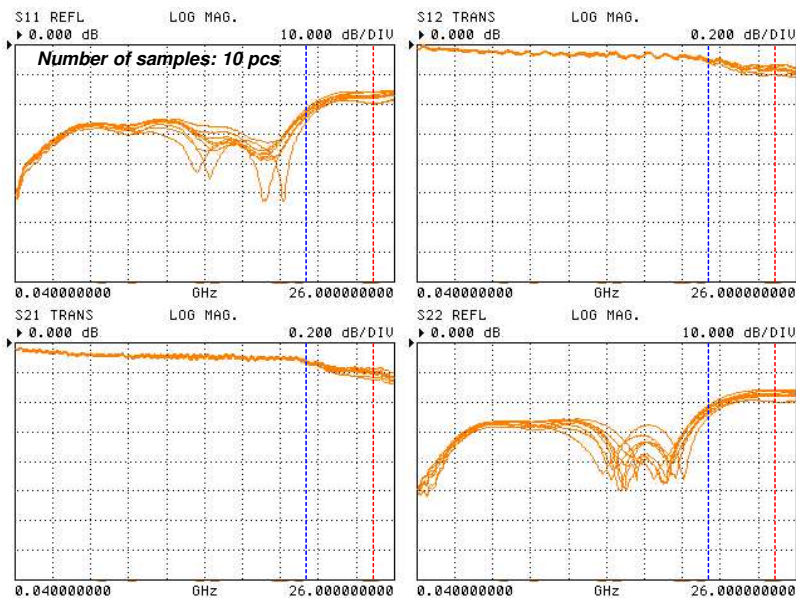
TYPE: SMA-525S

Male/Female Outline



RF Performance

("Insertable Device" Calibration in 3.5 mm System)



NOTE:

All dimensions are in millimeters.

(*) Moding frequency: 24.7 GHz (theoretically)

(**) Connect/disconnect speed: 10 cycles per minute (conforms to MIL-C-39012/60)

RoHS Compliant

REACH Compliant

Specifications Subject to Change Without Notice

Rev. 04 Jun. 2024

Copyright(C) 2002-2024 Kawashima Manufacturing Co., Ltd. <All rights reserved.>



Kawashima Manufacturing Co., Ltd.

1-3-5 Higashi-ikuta, Tama-ku,
Kawasaki 214-0031 JAPAN

TEL: +81-44-911-7073
https://kmco.co.jp/en/

FAX: +81-44-911-9621
e-mail: sales@kmco.co.jp